



HG10i Spiral Separator



Overview

Developed from the HG10A and HG10S, this latest spiral model in the HG10 range offers further performance improvement.

Features

- Highly wear resistant polyurethane on all operating surfaces
- Two repulpers
- Number of turns –7
- Number of starts – single, twin and triple
- No wash water required
- Three sets of auxiliary slide splitters per trough
- Highly wear resistant PU feed box and product box

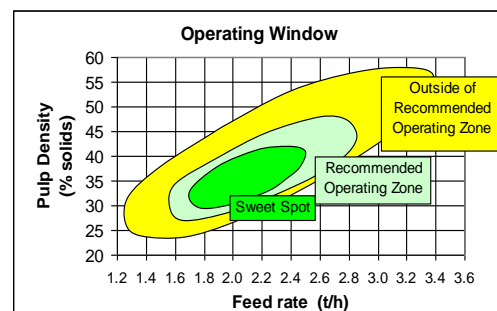
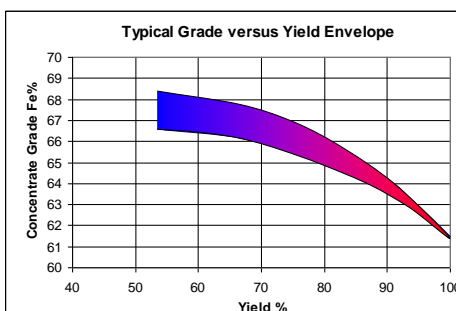
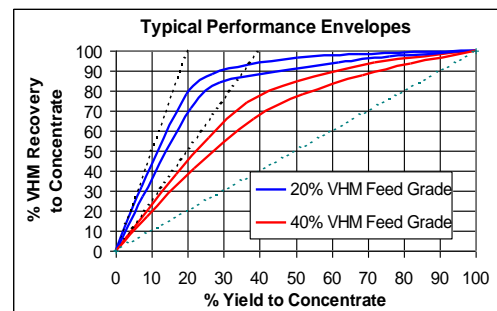
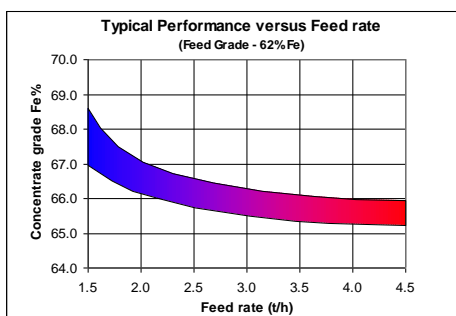
Design Data

Head Feed (per start)

Capacity:	Up to 4.5 t/h per start (typically 1.5 to 3.0 t/h/start))
Pulp Density:	30 to 60% solids (typically 30 to 45% solids)
Size Range:	0.03 – 2.0mm (0.04 to 0.7mm for optimal separation. Material coarser than 0.7mm has been found to increase wear rates in some cases)
Pulp Volume:	Typically 3.5 to 5.0 m ³ /h per start (Recommended max 5.5 m ³ /h)

Application

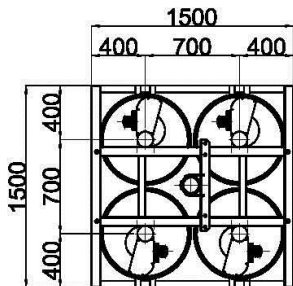
The principal area of application is the recovery and concentration of minerals from pulp streams that contain more than 10% and as high as 90% by weight of very heavy minerals (VHM). The HG10 spiral separator is generally used in a cleaner duty. For high density feed, however, such as iron ore, the HG10 is also suitable as a rougher spiral.



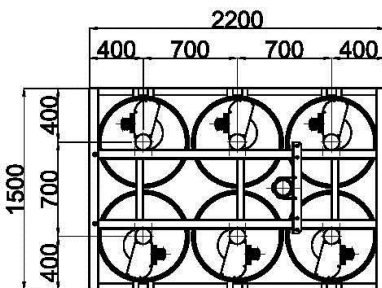


HG10i SPIRALS

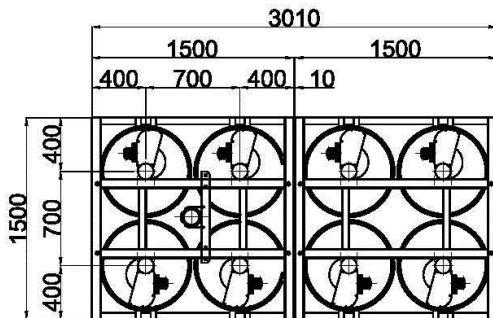
*SPIRAL AVAILABLE IN SINGLE / TWIN / TRIPLE CONFIGURATIONS
*DISTRIBUTOR AVAILABLE AS MK9 OR MK7 T.E. OR B.E.



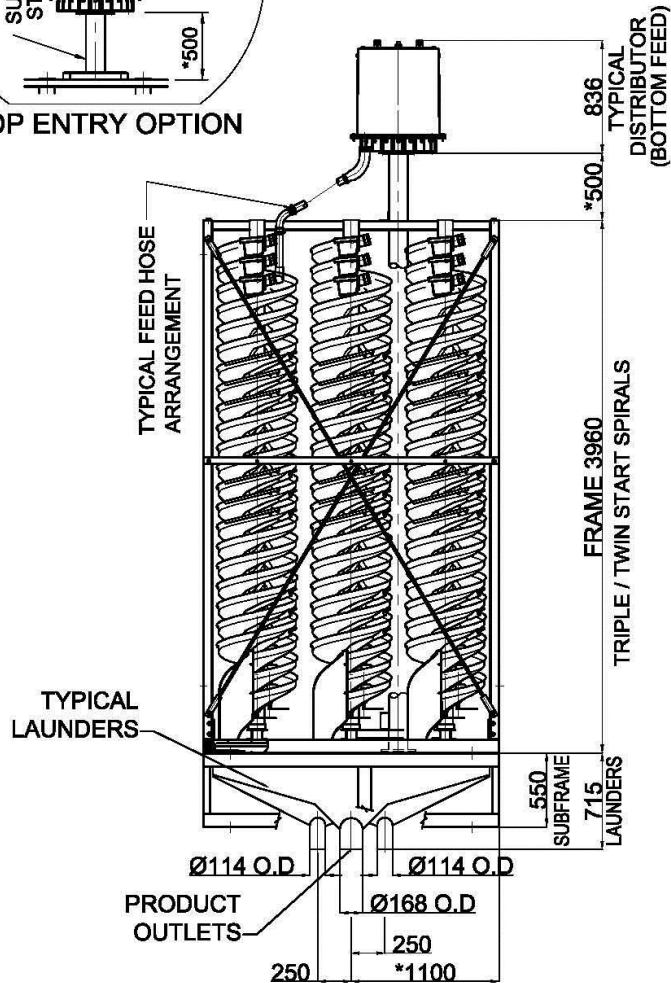
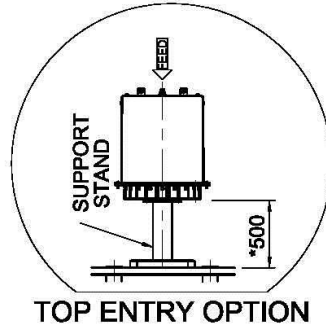
DOUBLE ROW SPIRAL BANK BANK OF 4



DOUBLE ROW SPIRAL BANK BANK OF 6 (REFER TYPICAL ELEVATION)



DOUBLE ROW SPIRAL BANK BANK OF 8 (4+4)



TYPICAL ELEVATION - BOTTOM ENTRY

*NOTE: LAUNDER/ FEED PIPE/ DISTRIBUTOR/ SUPPORT STAND DIMENSIONS, SPECIFICATIONS & LOCATIONS MAY VARY TO SUIT SPIRAL BANK COMBINATIONS - TRIPLE START SPIRALS DRAWN FOR ILLUSTRATION PURPOSES ONLY

ESTIMATED MASS (tonnes)						Mineral Technologies Mineral Technologies Pty. Ltd. - ABN 52 105 309 280 11 ELYSIUM RD., CARRARA, QLD. 4211, AUSTRALIA. Ph: +61 7 55691300 P.O. Box 2569 Nerang MDC, Qld. Australia, 4211 Fax: +61 7 55253810 www.mineraltechnologies.com Info@mineraltechnologies.com
SPIRAL BANK	4x2	6x2	8x2	10x2	12x2	
TWIN START	1.05	1.45	2.05	2.50	2.90	
TRIPLE START	1.17	1.65	2.30	2.90	3.30	
FOR CERTIFIED DRAWINGS SUITABLE FOR ENGINEERING DESIGN PURPOSES PLEASE REFER TO MINERAL TECHNOLOGIES						NOTE: MINERAL TECHNOLOGIES RESERVES THE RIGHT TO ALTER SPECIFICATIONS WITHOUT PRIOR NOTICE
						HG10i-107 26.06.14 Rev 0