

# MG6.22 Spiral Separator



## Overview

High performance in only 5 turns, test results show superior recovery performance compared with industry standard MG4 and HG10 spirals.

## Features

- One repulper
- Number of starts – single, twin and triple
- 2 x auxiliary slide splitters
- Improved edge for containing splash
- Ganged product splitters
- Highly wear-resistant polyurethane on all operating surfaces

## Design Data

### Head Feed (per start)

Capacity:	Up to 3.5 t/h per start (typically 1.5 to 3.0 t/h/start)
Pulp Density:	25 to 60% solids (typically 30 to 45% solids)
Size Range:	0.03 to 2.0mm (0.04 to 0.7 for optimal separation. Material coarser than 0.7mm has been found to increase wear rates in some cases)
Pulp Volume:	Up to 8 m <sup>3</sup> /h per start slurry volume (typically 4 to 6 m <sup>3</sup> /h/start)

## Application

The principal area of application is in the recovery and concentration of minerals from medium to high grade pulp streams that contain as high as 90% hi-density minerals. The MG6.22 can be used in rougher and cleaner duties.

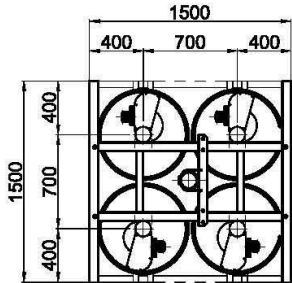
### Specific Applications include:

- Mineral sand
- Iron ore
- Tungsten
- Tin
- Garnet
- Chromite

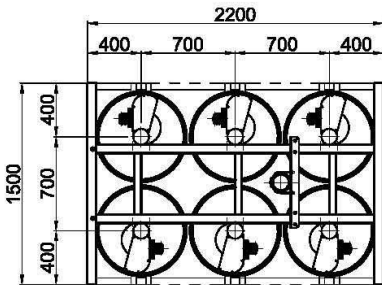


# MG6.22 5 TURN SPIRALS

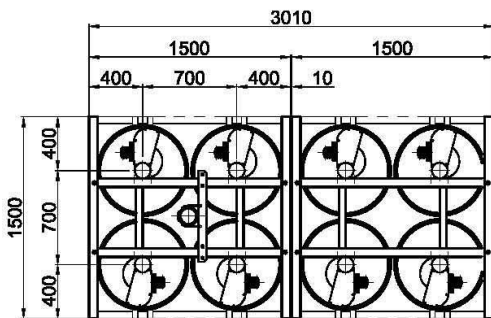
\*SPIRAL AVAILABLE IN SINGLE / TWIN / TRIPLE CONFIGURATIONS  
\*DISTRIBUTOR AVAILABLE AS MK9 OR MK7 T.E. OR B.E.



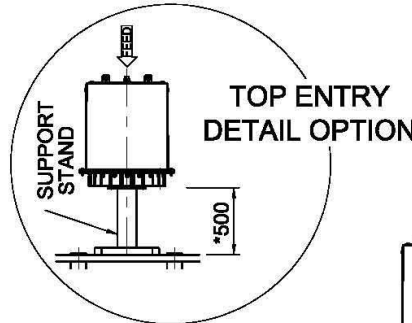
**DOUBLE ROW SPIRAL BANK  
BANK OF 4**



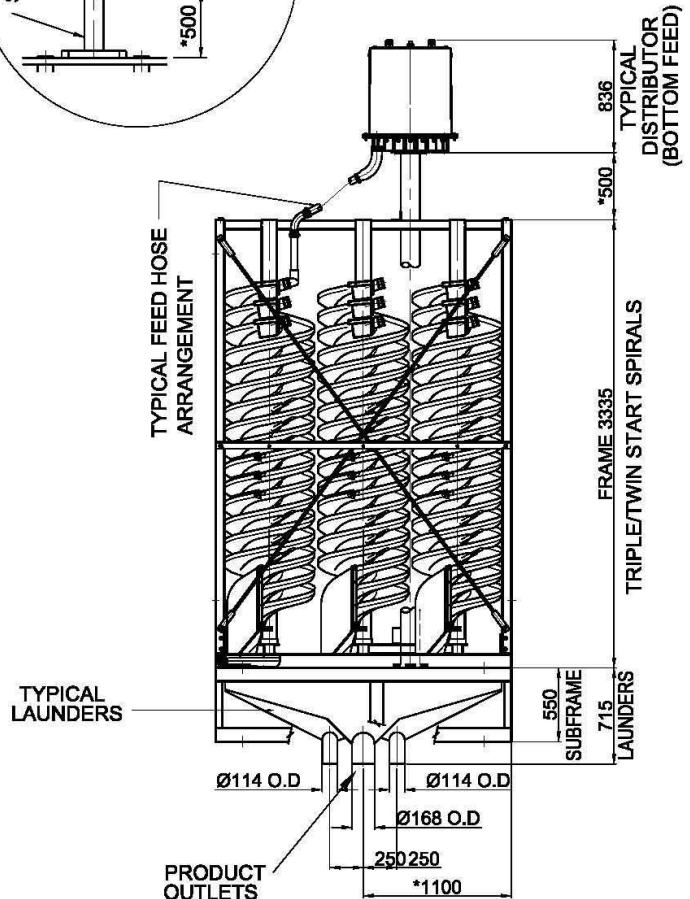
**DOUBLE ROW SPIRAL BANK  
BANK OF 6  
(REFER TYPICAL ELEVATION)**



**DOUBLE ROW SPIRAL BANK  
BANK OF 8 (4+4)**



**TOP ENTRY  
DETAIL OPTION**



**TYPICAL ELEVATION -  
BOTTOM ENTRY**

\*NOTE: LAUNDER/ FEED PIPE/ DISTRIBUTOR/ SUPPORT STAND DIMENSIONS, SPECIFICATIONS & LOCATIONS MAY VARY TO SUIT SPIRAL BANK COMBINATIONS - TRIPLE START SPIRALS DRAWN FOR ILLUSTRATION PURPOSES ONLY

ESTIMATED MASS (tonnes)						<b>Mineral Technologies</b> Mineral Technologies Pty. Ltd. - ABN 52 105 309 260 11 ELYSIUM RD., CARRARA, QLD. 4211, AUSTRALIA. Ph: +61 7 55691300 P.O. Box 2569 Nerang MDC, Qld. Australia, 4211 Fax: +61 7 55253810 www.mineraltechnologies.com Info@mineraltechnologies.com
SPIRAL BANK	4x2	6x2	8x2	10x2	12x2	
TWIN START	1.00	1.35	1.90	2.25	2.80	
TRIPLE START	1.12	1.53	2.16	2.70	3.20	
FOR CERTIFIED DRAWINGS SUITABLE FOR ENGINEERING DESIGN PURPOSES PLEASE REFER TO MINERAL TECHNOLOGIES						
			MG622-107	26.06.14	Rev 0	