

MG6.3 Spiral Separator



Overview

High performance in only 6 turns, test results show superior recovery performance compared with industry standard rougher spirals

Features

- Two repulpers
- Number of starts – single, twin and triple
- 1 x auxiliary slide splitter
- Improved edge for containing splash
- Ganged product splitters
- Highly wear-resistant polyurethane on all operating surfaces

Design Data

Head Feed (per start)

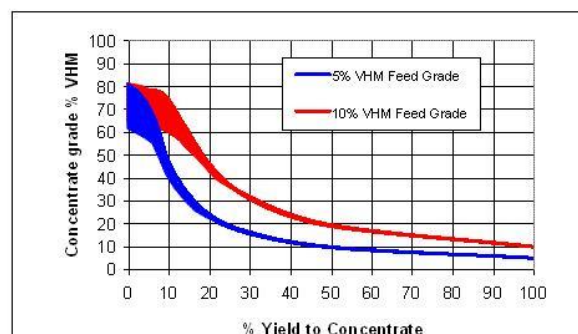
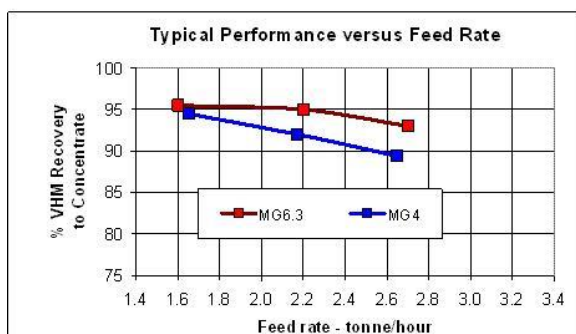
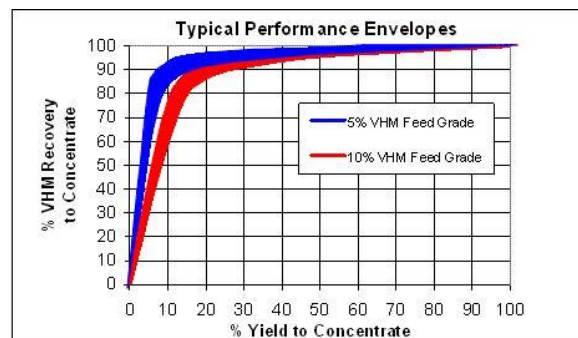
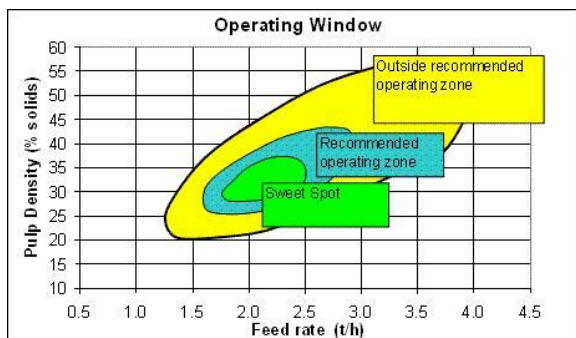
Capacity:	Up to 4.0 t/h per start (typically 2.0 to 3.0 t/h/start)
Pulp Density:	25 to 60% solids (typically 25 to 40% solids)
Size Range:	0.03 to 2.0mm (0.04 to 0.7 for optimal separation. Material coarser than 0.7mm has been found to increase wear rates in some cases.)
Pulp Volume:	Up to 8 m ³ /h per start slurry volume (typically 4 to 6 m ³ /h/start)

Application

The principal area of application is in a roughing or scavenging duty (low to medium heavy mineral grade). However, this model has been successfully deployed on feed as high as 35 to 40% heavy mineral content.

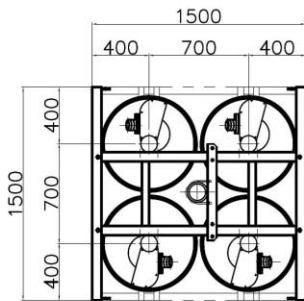
Specific applications include:

- Mineral sand
- Silica sand
- Tin
- Chromite
- Gold – alluvial and hard rock
- Tungsten
- Garnet
- Sillimanite

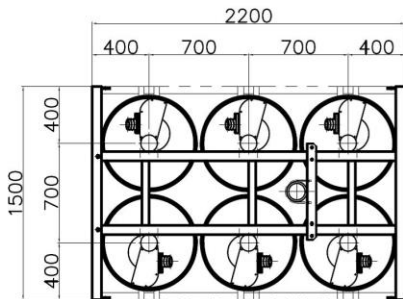


MG6.3 6 TURN SPIRALS

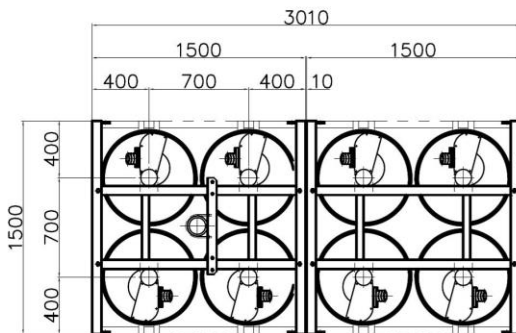
*SPIRAL AVAILABLE IN SINGLE / TWIN / TRIPLE CONFIGURATIONS
*DISTRIBUTOR AVAILABLE AS MK9 OR MK7 T.E. OR B.E.



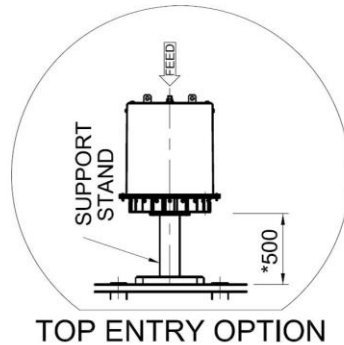
DOUBLE ROW SPIRAL BANK BANK OF 4



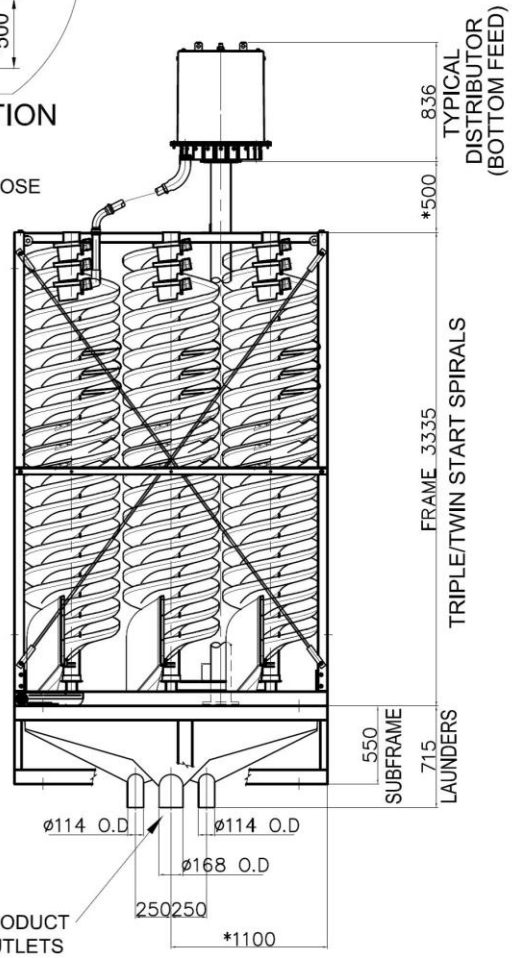
DOUBLE ROW SPIRAL BANK BANK OF 6
(Refer Typical Elevation)



DOUBLE ROW SPIRAL BANK BANK OF 8 (4+4)



TYPICAL FEED HOSE ARRANGEMENT



TYPICAL LAUNDERS

TYPICAL ELEVATION BOTTOM ENTRY

*NOTE: LAUNDER/ FEED PIPE/ DISTRIBUTOR/ SUPPORT STAND DIMENSIONS, SPECIFICATIONS & LOCATIONS MAY VARY TO SUIT SPIRAL BANK COMBINATIONS - TRIPLE START SPIRALS DRAWN FOR ILLUSTRATION PURPOSES ONLY

ESTIMATED MASS (tonnes)					
SPIRAL BANK	4x2	6x2	8x2	10x2	12x2
TWIN START	1.10	1.53	2.10	2.50	3.10
TRIPLE START	1.25	1.70	2.40	3.00	3.80

Mineral Technologies

Mineral Technologies Pty. Ltd. - ABN 52 105 309 260
11 ELYSIUM RD., CARRARA, QLD. 4211, AUSTRALIA. Ph: +61 7 55691300
P.O. Box 2569 Nerang MDC, Qld. Australia, 4211
Fax: +61 7 55253810
www.mineraltechnologies.com
info@mineraltechnologies.com

NOTE: MINERAL TECHNOLOGIES RESERVES THE RIGHT TO ALTER SPECIFICATIONS WITHOUT PRIOR NOTICE

FOR CERTIFIED DRAWINGS SUITABLE FOR ENGINEERING DESIGN PURPOSES PLEASE REFER TO MINERAL TECHNOLOGIES

MG6-136	26.06.14	Rev 0
---------	----------	-------