

VHGS Spiral Separator



Overview

VHGS spiral separator has been developed from scratch to treat streams with higher average particle densities. Comprising only 4 turns, the VHGS has been shown by test data to metallurgically outperform the 7-turn HG10 model in re-cleaner type duties

Features

- Highly wear resistant polyurethane on all operating surfaces
- One repulper
- Number of turns – 4; resulting in a comparatively low height profile
- Number of starts – single, twin and triple available
- No wash water required
- One auxiliary slide splitter per trough
- Product outlet splitters are slide-style

Design Data

Head Feed (per start)

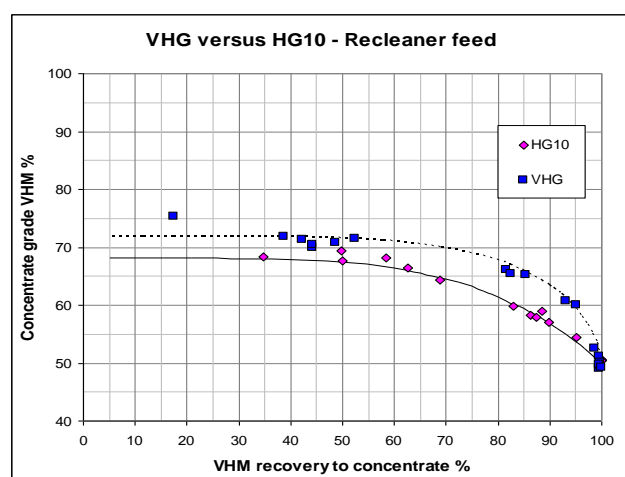
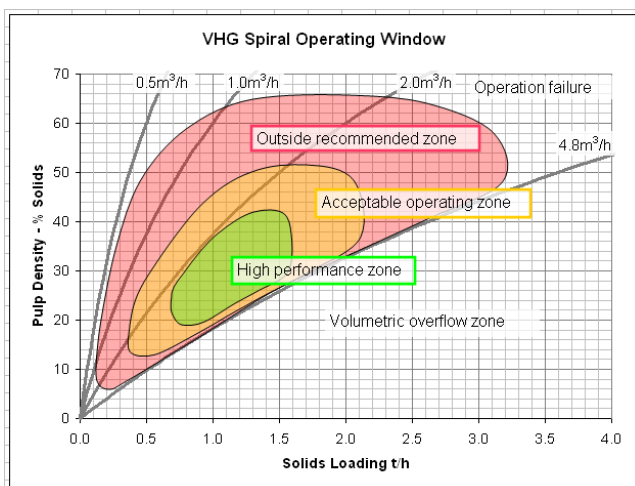
Capacity:	0.8 – 2.0 t/h per start
Pulp Density:	Typically 30% to 45% solids
Size Range:	0.03 – 2.0mm (0.04 to 0.7mm for optimal separation. Material coarser than 0.7mm has been found to increase wear rates in some cases)
Pulp Volume:	Maximum 4.8 m ³ /h

Application

Mineral sands, chromite, iron ore and other predominantly “heavy” pulp streams.

In the mineral sands industry where there is a need to upgrade non-mag streams or a need to separate VHM from LHM (as opposed to just rejecting silica).

In wet concentrator plants there is a growing requirement of finisher stages to produce higher grade final concentrate streams (say 94 to 96% HM).

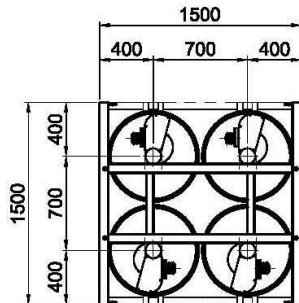




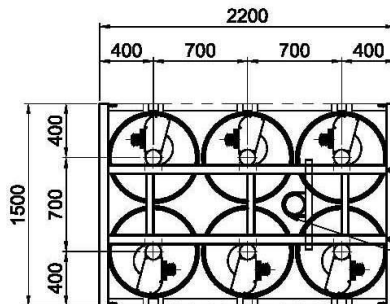
VHGS 4 TURN SPIRALS

*SPIRAL AVAILABLE IN SINGLE / TWIN / TRIPLE CONFIGURATIONS

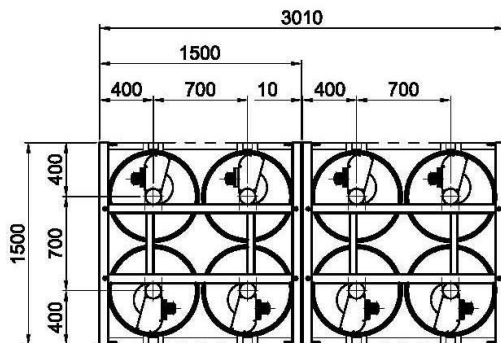
*DISTRIBUTOR AVAILABLE AS MK9 OR MK7 T.E. OR B.E.



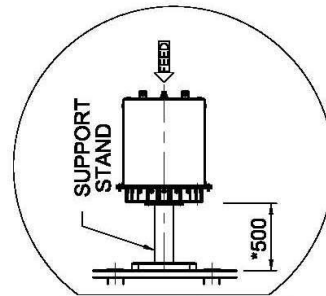
**DOUBLE ROW SPIRAL BANK
BANK OF 4**



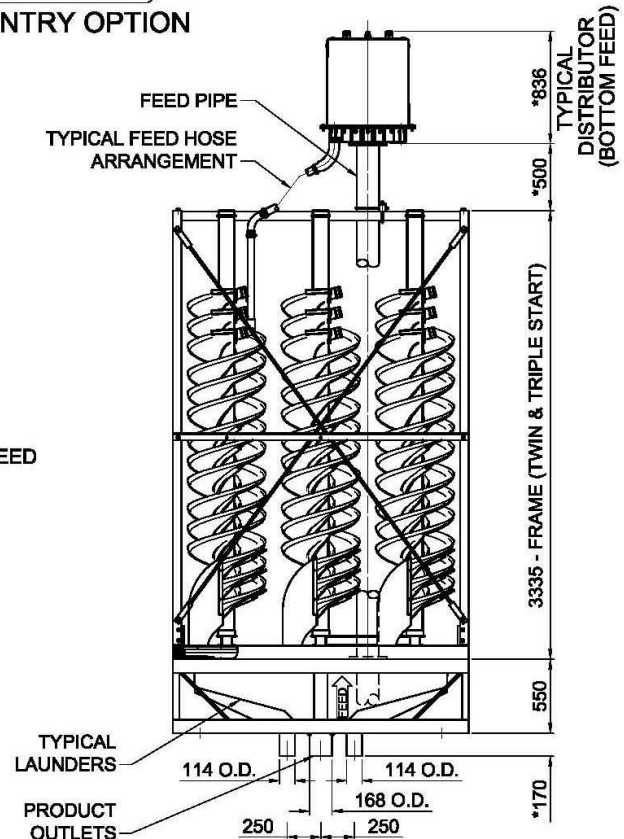
**DOUBLE ROW SPIRAL BANK
BANK OF 6
(REFER TYPICAL ELEVATION)**



**DOUBLE ROW SPIRAL BANK
BANK OF 8 (4+4)**



TOP ENTRY OPTION



**TYPICAL ELEVATION -
BOTTOM ENTRY**

*NOTE: LAUNDER/ FEED PIPE/ DISTRIBUTOR/ SUPPORT STAND DIMENSIONS, SPECIFICATIONS & LOCATIONS MAY VARY TO SUIT SPIRAL BANK COMBINATIONS - TRIPLE START SPIRALS DRAWN FOR ILLUSTRATION PURPOSES ONLY

ESTIMATED MASS (tonnes)						Mineral Technologies Mineral Technologies Pty. Ltd. - ABN 52 105 309 260 11 ELYSIUM RD., CARRARA, QLD. 4211, AUSTRALIA. Ph: +61 7 55691300 P.O. Box 2569 Naring MDC, Qld. Australia, 4211 Fax: +61 7 55253810 www.mineraltechnologies.com Info@mineraltechnologies.com
SPIRAL BANK	4x2	6x2	8x2	10x2	12x2	
TWIN START	0.74	1.04	1.44	1.76	2.07	
TRIPLE START	0.83	1.2	1.62	2.07	2.34	
FOR CERTIFIED DRAWINGS SUITABLE FOR ENGINEERING DESIGN PURPOSES PLEASE REFER TO <i>Mineral Technologies</i>						NOTE: MINERAL TECHNOLOGIES RESERVES THE RIGHT TO ALTER SPECIFICATIONS WITHOUT PRIOR NOTICE
			VHGS-111	26.06.14	Rev 0	